



## SE250 Rotary Paddle Level Switch



### Working Principle

The transmission shaft and clutch of the unit connect together. During normal operation, (no materials exist) the motor rotates the paddle at 1 RPM. When this paddle rotation is impeded by material, surrounding the paddle, motor will stall and cause the Micro-switch to change status (indicating an alarm or control)

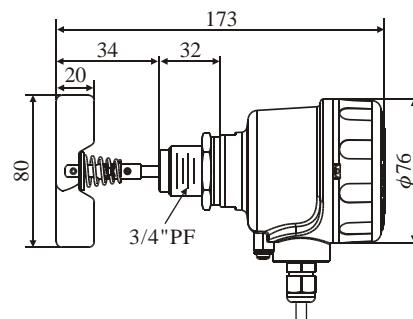
### Product Features

- Folded paddle, free of dismantle the paddle during installing.
- Aluminum housing with sturdy and durable feature.
- Hermetically seal, suitable for outdoor application.
- Unique sealing ring design, it can prevent the dust from permeating into the housing body along with the shaft.
- The torque force is adjustable and reliable.
- Simple design, easy to install.
- If the paddle bears overload, the motor will slide automatically to prevent the inside mechanism from damaged.
- The inside mechanisms are easily tore down for checking, maintenance and replacement. It doesn't necessary to remove the complete set from the tank.

### Applications

Suitable for chemical, plastic, pharmacy, feed, cement, fertilizer, food and processing Industries.

### Product Dimension



### Product Specification

1. Power supply: (A)110Vac (B)220Vac (C)240Vac 50/60Hz (D)24Vac (E)24Vdc
2. Consumption: 1.5W(ac), 3W(24Vdc)
3. Contact capacity: 3A/250Vac
4. Paddle rotary speed: 1RPM
5. Operation temperature: -20~70 °C
6. Measuring torque: 25~155 g-cm
7. Specific gravity: 0.3g/cm<sup>3</sup>
8. Standard connection: 3/4\"PF(screw)
9. PVC cable entry 22 AWG, 300mm length



**FineTek Co., Ltd.**

No.16, Tzuchiang St., Tucheng Industrial Park, New Taipei City, Taiwan

Tel: 886-2-22696789 Fax: 886-2-22686682 e-mail: [info@fine-tek.com](mailto:info@fine-tek.com) <http://www.fine-tek.com>

